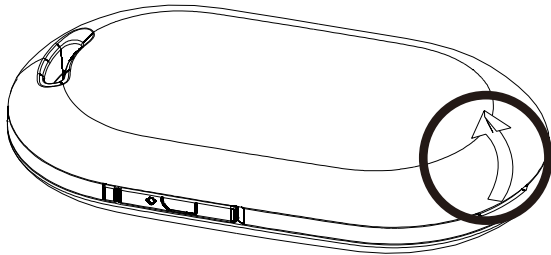


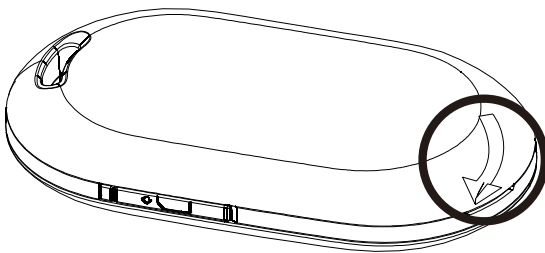
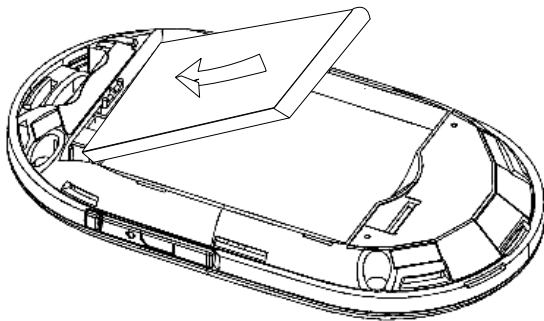
Quick Start of Gmate

Battery Installation

- A) Insert your fingernail in the gap at the back cover of Gmate device and use proper force to jack up the battery cover.



- B) Then, insert the battery in the contact of the battery according to the following diagram and at last cover the back cover of the battery



Charge

Please use the 5V 500mA charger or computer data cable to charge it.

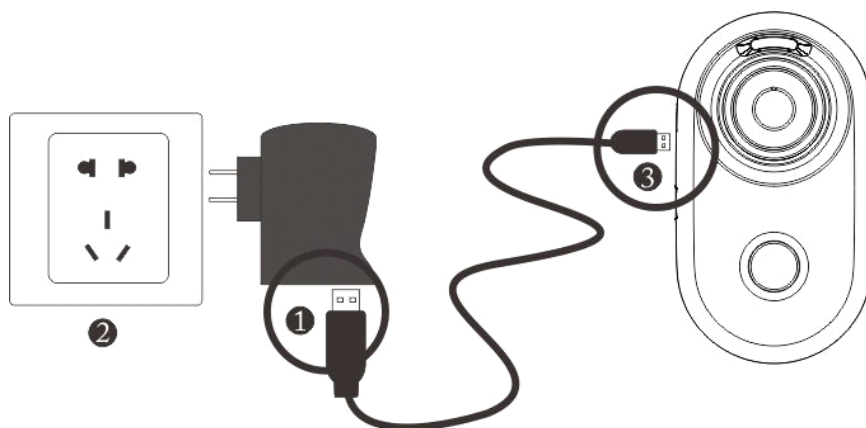
When the battery is leaving the factory, there is already certain amount of electric quantity. If the client displays insufficient electric quantity during the using process, please charge it according to the following operations.

<Warning>: Only the charger and data line approved by our company can be used. The use of unauthorized charger and data line will cause the explosion of the battery or damage of your Skyroam device. It is strictly forbidden to plug the charger to charge when the Skyroam is not installed with the battery.

> Use Power Adapter to Charge

Note:Our company do not provide power adapter,Please prepare yourself,5V 500mA power adapter can be used.

A) Insert one end of the data line (USB port) to USB socket of the power adapter.



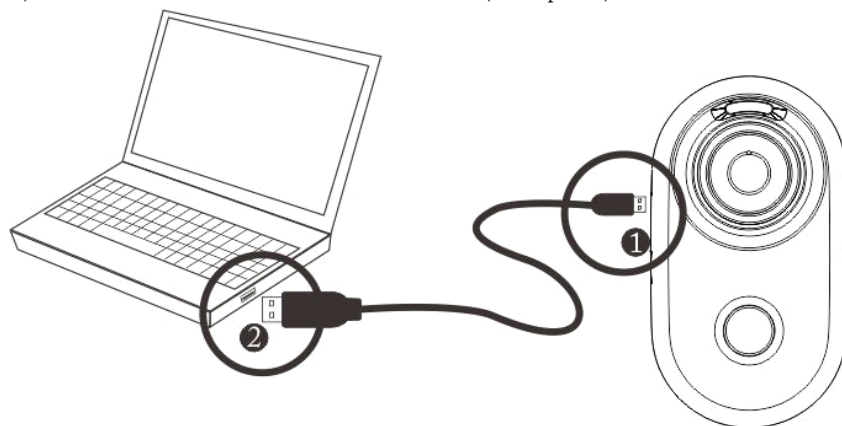
B) Plug the power adapter in the power socket.

C) Insert another end of the data line (miniport) to the USB socket of Skyroam device.

> Use USB Computer Data Line to Charge

Make sure the computer is already started up before charging the battery.

A) Insert one end of the data line (miniport) to USB socket of the Skyroam device.

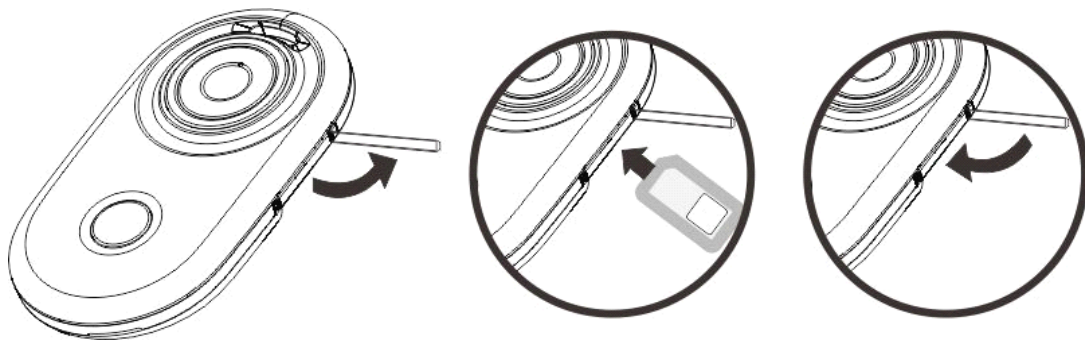


B) Connect another end of the computer data line to the USB port of the computer.

During the charging process, the LED light of Skyroam device will alternatively display red and green. Meanwhile, the electric quantity icon of the client will jump. After the battery is fully charged, LED light will display green for a long time, and the electric quantity icon of the client will stop jumping.

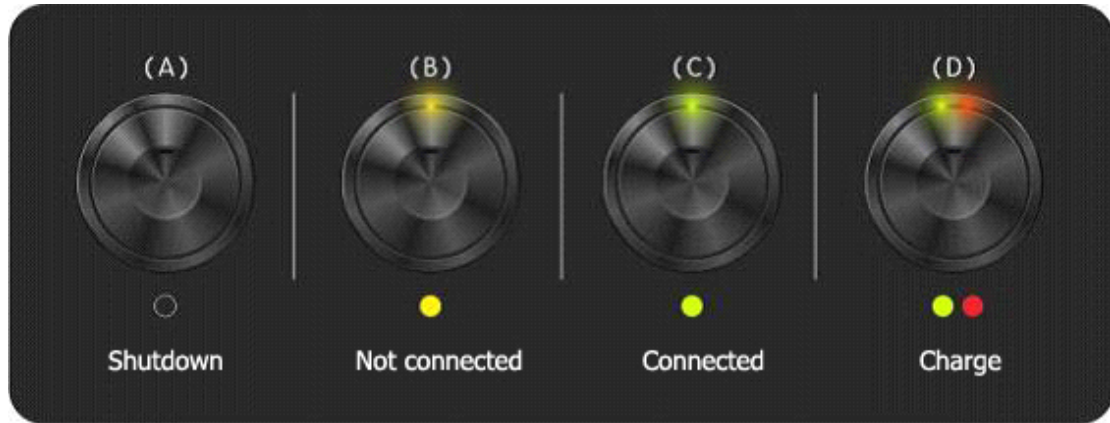
Installation of SIM Card

Insert SIM card to the Gmate device according to the direction drawn in the following diagram to make sure the contact of SIM card is correctly connected to the contact of Gmate device.



Status of Indication Light of Skyroam Device

- A) **Light off:** shutdown status
- B) **Twinkling yellow light:** startup status, but not connected
- C) **Twinkling green light:** startup status, and connected
- D) **Charge:** during the charging, the red light and green light twinkle in turn. The more the time the green light stays, the more the electric quantity charged. After the completion of charging, the green light will be on for a long time.
- E) **Flashing red light :** low battery status



Startup

Press on the power button for 3 seconds, and release it after the status light turns green. Then, the device enters the startup program.

Shutdown

Press on the power button for 3 seconds, and release it after the status light turns red. Then, the device enters the shutdown program.

Restoration of Ex-factory Setting

Under the startup status, use clip or other similar tool to aim at the reset hole and press on it for 3 seconds, and then the